

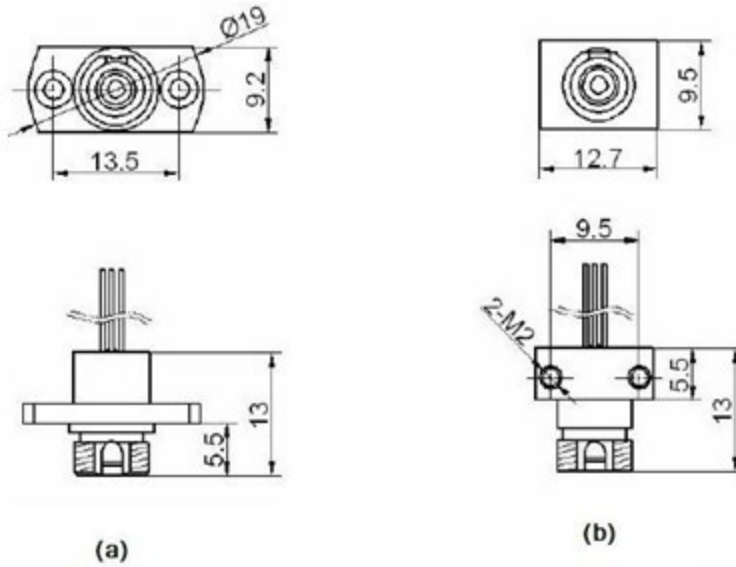


870nm~880nm 2mw Receptacle Laser Diode (LD) Module
880nm SM Receptacle Package LD Module with 9um SMF
WSLR-880-002m-9-PD

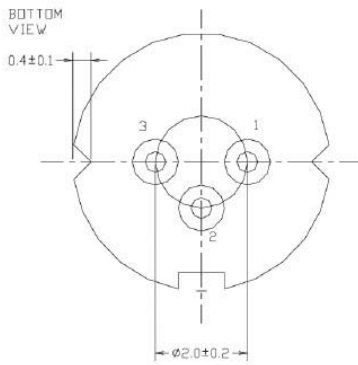
880nm Receptacle Diode Laser		2mW		Wavespectrum Laser, Inc	
PARAMETER	SYMBOL	VALUE	UNIT		
Reverse Voltage	V_r	2.0	V		
Operating Temperature	T_{op}	-10~+60	°C		
Storage Temperature	T_{stg}	-10 ~ +85	°C		
Lead soldering temperature (10 sec.)	T_{is}	260	°C		
Features: <ul style="list-style-type: none"> ● 880nm ● 9um Fiber ● Receptacle package ● Built-in PD 					
Applications: <ul style="list-style-type: none"> ● Medical laser treatment ● Others 					
Specifications	WSLR-880-002m-9-PD				
	Min	Type	Max		
Center Wavelength@25°C	870nm	880nm	890nm		
Spectral Width (FWHM)	----	----	----		
Optical Fiber Output Power (After Fiber)	----	2mW	----		
Fiber Specification	9um Fiber Core				
Slope Efficiency	0.3mW/mA	0.5mW/mA	----		
Monitor Current	0.2mA	----	0.6mA		
PD Reverse Voltage	----	30V	----		
Ferrule Type	FC				
Other Customized Ferrule Type	SC, ST				
Threshold Current (Typ.)	----	10mA	15mA		
Operating Current (Typ.)	----	38mA	43mA		
Operating Voltage	----	2.2V	2.5V		
Package Style	Receptacle				



FC Connector Receptacle Package View



PIN Bottom View:



1	PD(+)
2	LD(+)&PD(-)
3	LD(-)

Electrically shorten LD module and store in non-extreme conditions.

Suggest using the constant current power supply.

