

850nm 150mW~160mw Receptacle Laser Diode (LD)
840nm~850nm >150mw MM Fiber Receptacle LD Module

WSLR-850-160m-M-PD

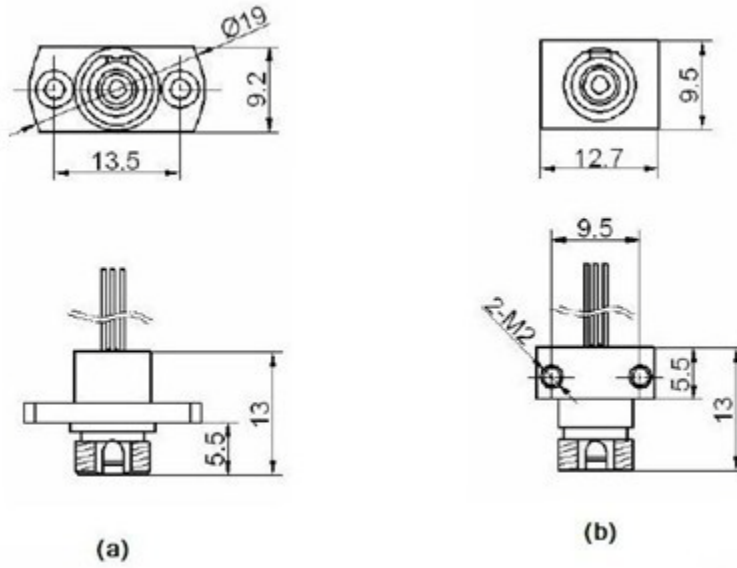
Wavespectrum laser inc.

www.wavespectrum-laser.com

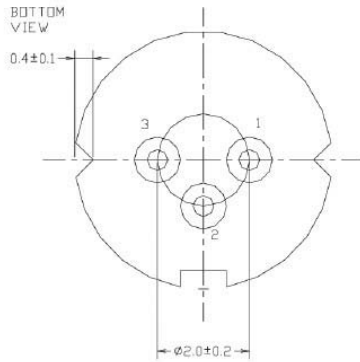
850nm Receptacle Diode Laser		160mW		Wavespectrum Laser, Inc	
PARAMETER	SYMBOL	VALUE	UNIT		
Reverse Voltage	V_r	2.0	V		
Operating Temperature	T_{op}	-10 ~ +40	°C		
Storage Temperature	T_{stg}	-15 ~ +85	°C		
Lead soldering temperature (10 sec.)	T_{is}	260	°C		
Features: <ul style="list-style-type: none"> • 850nm • MM Fiber • Receptacle Package • Built-in PD 					
Applications: <ul style="list-style-type: none"> • Medical laser treatment • Others 					
Specifications	WSLR-850-160m-M-PD				
	Min	Type	Max		
Center Wavelength@25°C	830nm	850nm	855nm		
Spectral Width (FWHM)	----	2.0nm	----		
Optical Fiber Output Power (After Fiber)	----	160mW	----		
Fiber Specification	62.5um or 105um Fiber Core				
	0.22 N.A.				
Slope Efficiency	0.7mW/mA	0.9mW/mA	----		
Monitor Current	----	0.1mA	----		
PD Reverse Voltage	----	30V	----		
Ferrule Type	FC				
Other Customized Ferrule Type	SC, ST				
Threshold Current (Typ.)	----	140mA	170mA		
Operating Current (Typ.)	----	520mA	670mA		
Operating Voltage	----	1.8V	2.2V		
Package Style	Receptacle				
Recommended Operating Temperature	25°C				



FC Connector Receptacle Package View



PIN Bottom View:



1	PD(+)
2	LD(+)&PD(-)
3	LD(-)

Electrically shorten LD module and store in non-extreme conditions.
Suggest using the constant current power supply.

