

## 830nm 50mw MM Fiber Receptacle Laser Diode (LD) Module

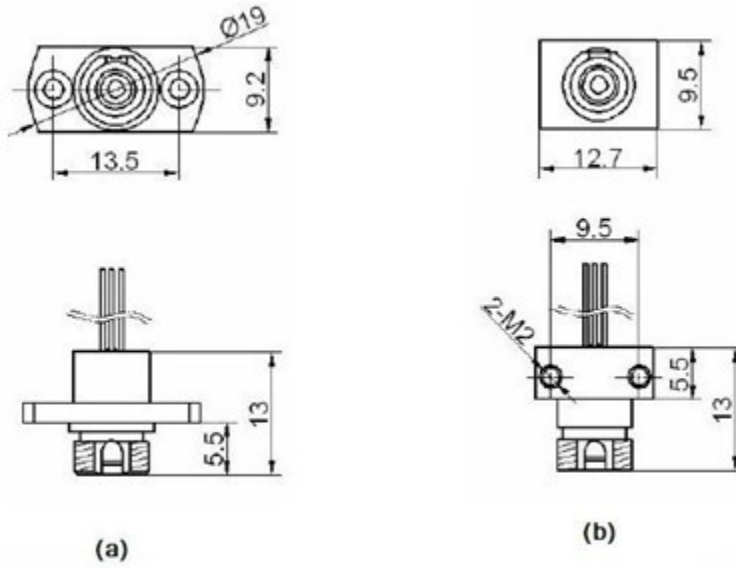
### 830nm Receptacle Laser Diode Module

#### WSLR-830-050m-M-PD

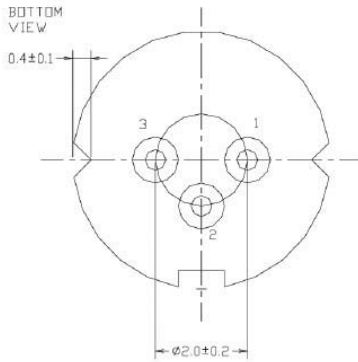
830nm Receptacle Diode Laser		50mW	Wavespectrum Laser, Inc	
PARAMETER	SYMBOL	VALUE	UNIT	
Reverse Voltage	$V_r$	2.0	V	
Operating Temperature	$T_{op}$	-10 ~ +50	°C	
Storage Temperature	$T_{stg}$	-40 ~ +85	°C	
Lead soldering temperature (10 sec.)	$T_{is}$	260	°C	
<b>Features:</b> <ul style="list-style-type: none"> <li>• 830nm</li> <li>• MM Fiber</li> <li>• Receptacle package</li> <li>• Built-in Photodiode</li> </ul>				
<b>Applications:</b> <ul style="list-style-type: none"> <li>• Medical laser treatment</li> <li>• Others</li> </ul>				
<b>Specifications</b>	<b>WSLR-830-050m-M-PD</b>			
	Min	Type	Max	
Center Wavelength@25°C	820nm	830nm	840nm	
Spectral Width (FWHM)	----	2nm	----	
Optical Fiber Output Power (After Fiber)	----	50mw	----	
Fiber Specification	62.5um , 105um ( or more)			
	0.22			
Slope Efficiency	0.7mW/mA	1.1mW/mA	----	
Monitor Current	----	0.5mA	----	
PD Reverse Voltage	----	30V	----	
Ferrule Type	FC			
Other Customized Ferrule Type	SC, ST			
Threshold Current (Typ.)	----	45mA	55mA	
Operating Current (Typ.)	----	120mA	140mA	
Operating Voltage	----	2.2V	2.5V	
Package Style	Receptacle			
Recommended Operating Temperature	25°C			



**FC Connector Receptacle Package View**



**PIN Bottom View:**



<b>1</b>	<b>PD(+)</b>
<b>2</b>	<b>LD(+)&amp;PD(-)</b>
<b>3</b>	<b>LD(-)</b>

Electrically shorten LD module and store in non-extreme conditions.

Suggest using the constant current power supply.

