

## 670nm 5mw Receptacle Laser Diode (LD) Module

### 670nm MM Receptacle Package LD

WSLR-670-005m-M-PD

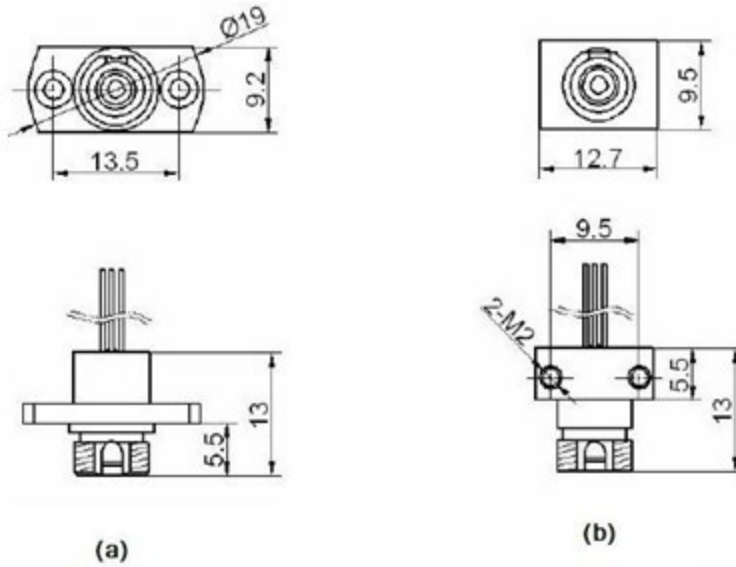
Wavespectrum Laser, Inc.

[www.wavespectrum-laser.com](http://www.wavespectrum-laser.com)

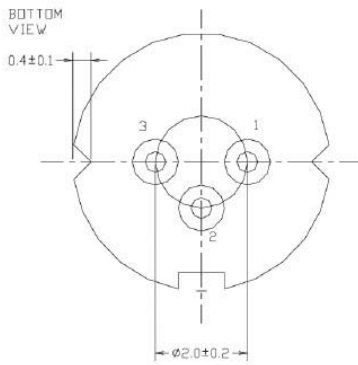
670nm Receptacle Diode Laser		5mW		Wavespectrum Laser, Inc	
PARAMETER	SYMBOL	VALUE	UNIT		
Reverse Voltage	$V_r$	2.0	V		
Operating Temperature	$T_{op}$	-10 ~ +70	°C		
Storage Temperature	$T_{stg}$	-40 ~ +85	°C		
Lead soldering temperature (10 sec.)	$T_{is}$	260	°C		
<b>Features:</b> <ul style="list-style-type: none"> <li>• 670nm</li> <li>• MM Fiber</li> <li>• Receptacle Package</li> <li>• Built-in PD</li> </ul>					
<b>Applications:</b> <ul style="list-style-type: none"> <li>• Medical laser treatment</li> <li>• Others</li> </ul>					
<b>Specifications</b>	<b>WSLR-670-005m-M-PD</b>				
	Min	Type	Max		
Center Wavelength@25°C	660nm	670nm	680nm		
Spectral Width (FWHM)	----	2.0nm	3.0nm		
Optical Fiber Output Power (After Fiber)	----	5mW	----		
Fiber Specification	62.5um , 105um ( or more)				
	0.22 (or more)				
Slope Efficiency	0.4mW/mA	0.5mW/mA	----		
Monitor Current	0.1mA	0.2mA	0.5mA		
PD Reverse Voltage	----	30V	----		
Ferrule Type	FC				
Other Customized Ferrule Type	ST, SC				
Threshold Current (Typ.)	----	20mA	40mA		
Operating Current (Typ.)	----	40mA	80mA		
Operating Voltage	----	2.3V	2.6V		
Package Style	Receptacle				
Recommended Operating Temperature	25°C				



**FC Connector Receptacle Package View**



**PIN Bottom View:**



<b>1</b>	<b>LD(-)</b>
<b>2</b>	<b>LD(+)&amp;PD(-)</b>
<b>3</b>	<b>PD(+)</b>

Electrically shorten LD module and store in non-extreme conditions.

Suggest using the constant current power supply.

