

## 635nm 10mW MM Receptacle LD Module

### 635nm Receptacle Laser Diode

WSLR-635-010m-M-PD

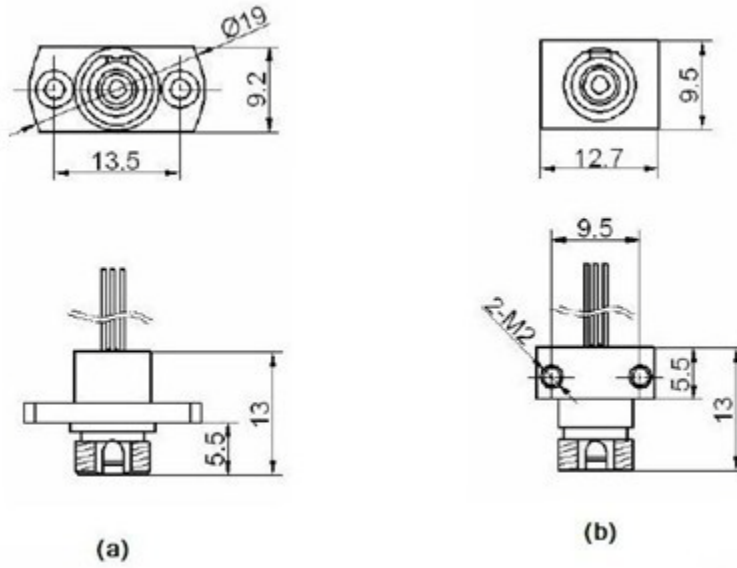
Wavespectrum laser inc.

www.wavespectrum-laser.com

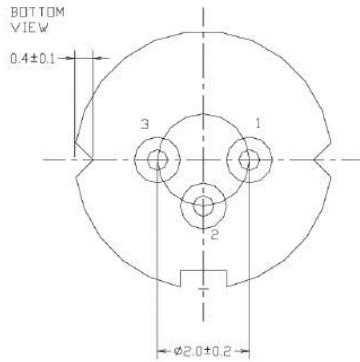
PARAMETER	SYMBOL	VALUE	UNIT
Reverse Voltage	$V_r$	2.0	V
Operating Temperature	$T_{op}$	-10 ~ +40	°C
Storage Temperature	$T_{stg}$	-40 ~ +85	°C
Lead soldering temperature (10 sec.)	$T_{is}$	260	°C
<b>Features:</b> <ul style="list-style-type: none"> <li>• 635nm</li> <li>• Receptacle Package</li> <li>• Built-in PD</li> </ul>			
<b>Applications:</b> <ul style="list-style-type: none"> <li>• Medical laser treatment</li> <li>• Printing</li> <li>• Others</li> </ul>			
<b>Specifications</b>	<b>WSLR-635-010m-M-PD</b>		
	Min	Type	Max
Center Wavelength@25°C	630nm	639nm	645nm
Spectral Width (FWHM)	----	2.0nm	----
Optical Fiber Output Power (After Fiber)	----	10mw	----
Fiber Specification	62.5um , 105um ( or more)		
	0.22 (or more)		
Slope Efficiency	----	0.5mW/mA	1.2mW/mA
Monitor Current	----	0.1mA	0.5mA
PD Reverse Voltage	----	30V	----
Ferrule Type	FC		
Other Customized Ferrule Type	SC , ST		
Threshold Current (Typ.)	----	70mA	100mA
Operating Current (Typ.)	----	120mA	160mA
Operating Voltage	----	2.3V	2.7V
Package Style	Receptacle		



### FC Connector Receptacle Package View



### PIN Bottom View:



1	LD(-)
2	LD(+)&PD(-)
3	PD(+)

Electrically shorten LD module and store in non-extreme conditions.

Suggest using the constant current power supply.

**Caution**  
 On operation, if optical connectors are unterminated, modules can emit invisible laser radiation. Radiation emitted by laser devices can be dangerous to the eyes. Avoided eye or skin exposure to direct or scattered radiation

