

780nm~785nm 1W TO Package LD| High Power Laser Diode

785nm Laser Diode| High Power LD| 1W Power| TO3 Package

WSLD-785-001-3

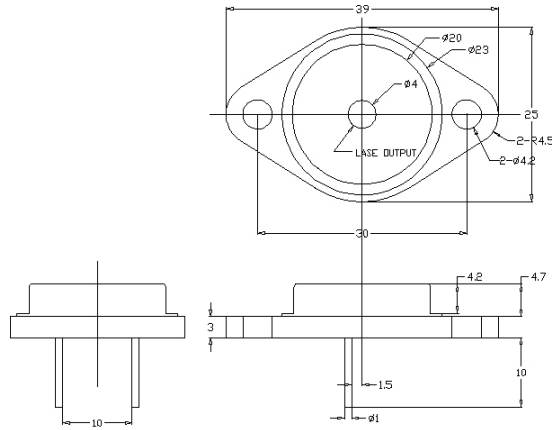
Wavespectrum Laser, Inc.

www.wavespectrum-laser.com

785nm Laser Diode 1W		Wavespectrum Laser, Inc	
PARAMETER	SYMBOL	VALUE	UNIT
Reverse Voltage	V_r	2.0	V
Operating Temperature	T_{op}	-10 ~ +30	°C
Storage Temperature	T_{stg}	-40 ~ +85	°C
Lead soldering temperature (10 sec.)	T_{is}	260	°C
Features: <ul style="list-style-type: none"> 785nm Multimode TO3,C-mount package 			
Applications: <ul style="list-style-type: none"> Medical laser treatment Laser indicator Laser detector 			
Specifications		WSLD-785-001-3	
	Min	Type	Max
Center Wavelength@25°C	----	785nm +/- 10nm	----
Spectral Width (FWHM)		2.0nm	
Output Power	----	1W	1.2W
Emitter Area	----	100x1µm	----
Beam Divergence (FWHM)	35°± x 7°//	40°± x 8°//	42°± x 11°//
Temperature Coefficient of Wavelength	----	0.28nm / °C	----
Slope Efficiency	0.9W/A	1.0W/A	1.2W/A
Threshold Current (Typ.)	----	0.24A	0.26A
Operating Current (Typ.)	----	1.2A	1.4A
Operating Voltage	----	2.0V	----
Package Style	TO3/C-mount		



TO3 Package View



Electrically shorten LD module and store in non-extreme conditions.
 Suggest using the constant current power supply.

